



senior living

TUCSON COLLECTION

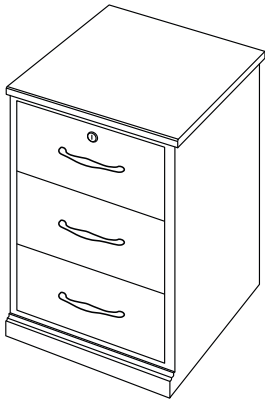
The Tucson collection features crisp clean lines with just the right amount of detail. Contoured crown and base moldings provide elegance and refinement to a practical and enduring collection. Our Tucson collection was constructed for easy cleaning and low maintenance.

 NORTHLAND

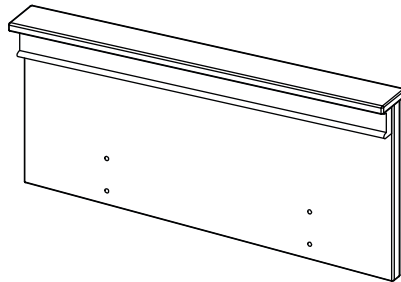
800.497.7591

NORTHLANDFURNITURE.COM

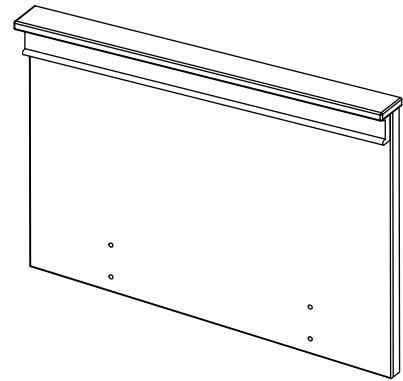
senior living
TUCSON COLLECTION



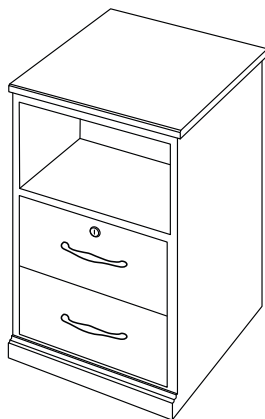
3 Drawer Bedside Table
18.75 X 15.75 X 30



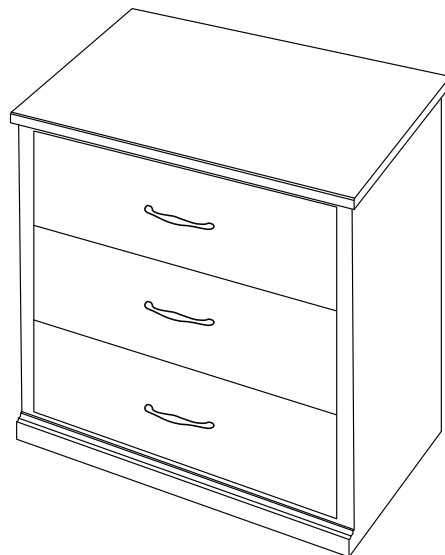
Twin Footboard
36 X 2.25 X 15.75



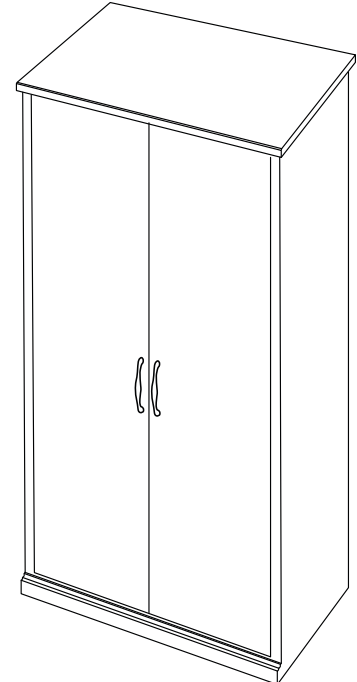
Twin Headboard
36 X 2 X 24



Nightstand
18.75 X 15.75 X 30



3 Drawer Dresser
30 X 18.5 X 30



Wardrobe
31.75 X 23.75 X 66



Northland Furniture RFQ

681 SE Glenwood
Bend, Oregon 97702
Toll Free: 800.497.7591
www.northlandfurniture.com

Purchasing Company	_____	Property	_____
Street Address	_____	Street Address	_____
City/State/Zip	_____	City/State/Zip	_____
Phone	_____	Phone	_____
Contact Name	_____	Contact Name	_____
E-Mail	_____	E-Mail	_____

RFQ Date _____

Requested Delivery _____

Finish Selection _____

Number of Rooms _____

Terms of Sale:
50% Deposit with Purchase Order
50% Payment upon shipping

Tucson Healthcare

Qty.	Item Description	Dimensions
	Twin Headboard	36 x 2 x 24
	Twin Footboard	36 x 2.25 x 15.75
	Nightstand	18.75 x 15.75 x 30
	3 Drawer Bedside Table	18.75 x 15.75 x 30
	3 Drawer Dresser	30 x 18.5 x 30
	Wardrobe	31.75 x 23.75 x 66

Notes:

All sales are FOB Bend, Oregon

Prices are subject to change at anytime prior to receipt of initial deposit

10 Year warrant against workmanship and material failure. Misuse or abused is not covered